

The HSA-405 is our flagship offering for Vertical Shrink Sleeve Labeling and Tamper Banding equipment. Its proven design has become the go-to shrink sleeve applicator for customers that need maximum versatility.

The HSA-405 applicator is a customizable, high-speed machine, capable of running our largest range of shapes and sizes up to 400 products per minute. It has the flexibility to apply shrink sleeve labels to a single container or a multi-pack. This machine design uses proven components, including a mandrel in combination with servo motion control on the feed wheels and knife assembly for precise feeding and cutting of the film.

Changeovers are tool-less and have been simplified to get you back in production sooner. An enhanced changeover option, that uses digital counters with feedback, is available to further reduce downtime. The machine's design features provide a great solution that can be used for flexible packaging in several industries: including food, beverage, pharmaceutical, home care, cosmetics, and many more.

## BENEFITS

- Reliable Performance with Servos
- Size Range and Material Type Flexibility
- "Side Winder" Knife Design for Great Cut Performance & Longer Blade Life
- Foolproof Wheel Tensioning Devices
- Tool-Less and Repeatable Changeovers with Quick Change Tooling
- Print Registration or User Input for Control of Cut Length
- Airbox Zero Tension Film Control – Reduces Mechanical Components and Unneeded Tension
- Self-Contained Design with Dual Roll Unwind Station
- Stainless Steel Construction



Like all Tripack Applicators, the HSA-405 has full complement of options, including customized product handling solutions, film accumulation devices, and shrink tunnels. Buy the applicator or integrate it into a full Tripack system!

## SHRINK APPLICATIONS



PRIMARY SLEEVE



FULL BODY OVER-THE-CAP SLEEVE



TAMPER EVIDENT BAND



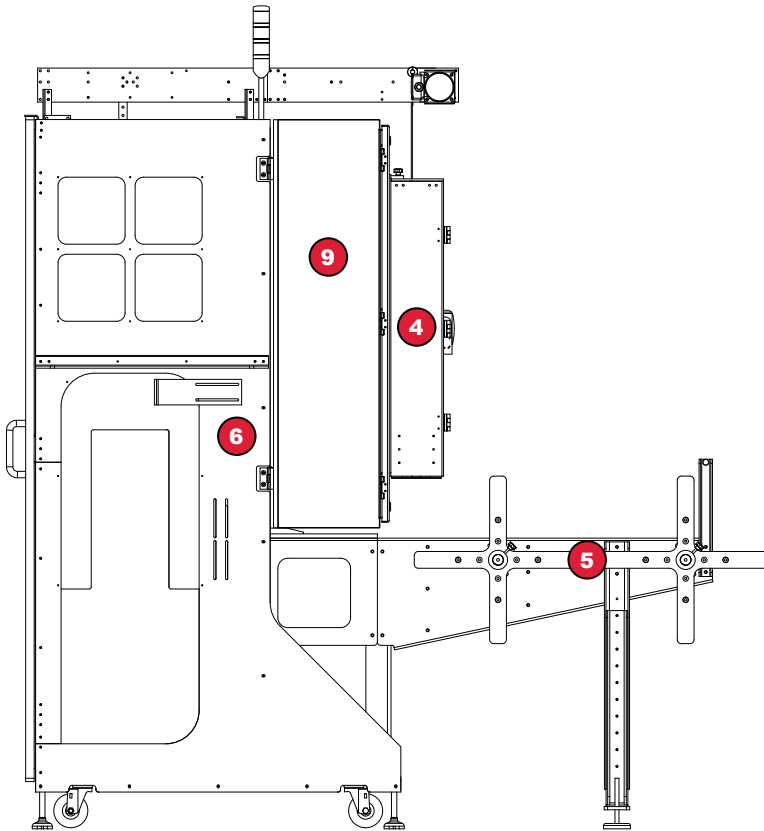
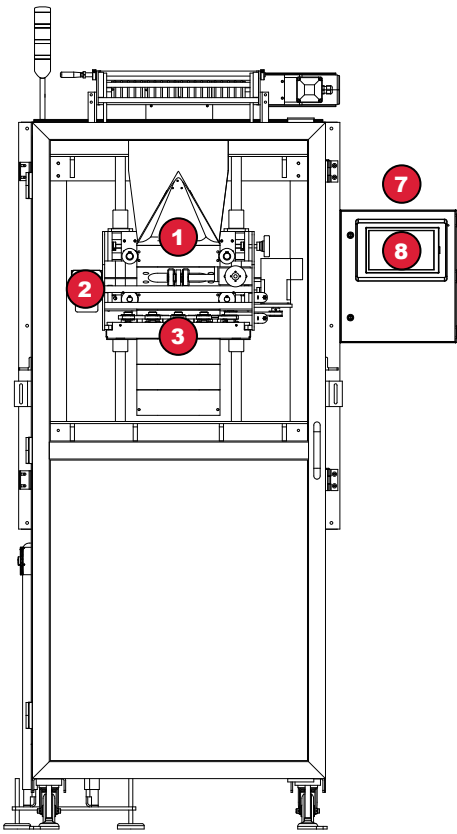
PARTIAL BODY SLEEVE



MULTI-PACK SLEEVE



WIDE CONTAINER SLEEVE



## STANDARD SPECIFICATIONS\*

Standard Power	480 Volt, 3 Phase, 20 Amp
Product Range	1" – 10" Diameter
Lay Flat Range	40mm – 400mm
Cut Length Range	30mm – 250mm
Max Speed	400 ppm
Max Film Roll OD	19"
Film Core ID Sizes	5" or 10"
Film Gauge Tolerance	35-70 microns (1.38-2.75 mil)
Lay Flat Tolerance	-0mm / +1mm
Coefficient of Friction	0.20 - 0.25
Material Types	PET, PETG, OPS, PLA, PVC
Dimensions (LxWxH)	79" x 36" x 90"

\*Other power options available, applicator stand is required if cut length exceeds 200mm and/or conveyor height exceeds 40", max speed is based on 50mm cut length

## FEATURES

- 1 Eight-point mandrel/bullet design film delivery system with pre-form lower options based on container shape and size. Pre-calibrated clutch wheels for PERFECT mandrel placement and pressure tension.
- 2 Servo-driven, high speed film delivery
- 3 Servo-driven multi-blade "Side Winder" knife assembly with special coated, dual sided blades for longer life
- 4 Powered film assist with zero tension film web design
- 5 Film loading/unwind station for 5" or 10" core/19" film
- 6 Stainless steel frame with caster wheels and adjustable feet
  - Locks into place with new or existing conveyor
  - Optional - Washdown Package
- 7 Quick and easy changeover
  - Recipe-driven sizes in HMI
  - Tool-less (quick-change) knife assembly
  - Kinetix servo drives
  - Optional – Enhanced Changeover Package
- 8 Allen-Bradley color touch screen HMI
- 9 Allen-Bradley control system with CompactLogix PLC

INDUSTRY LEADING



Made in USA

**TRI pack**

Shrink Sleeve Solutions

info@tripack.net | 866-900-1255 | tripack.net