

Tripack offers the HT Series convection heat tunnels to accommodate basic shrink label applications, tamper evident bending, and moisture sensitive product. With two available sizes, these tunnels can be used independently or combined in-line to achieve the best shrink performance for your products.

Tripack's heat tunnel product line varies by opening (adjustable), overall tunnel length, and number of heating zones. Shrinking of film is a function of time and temperature. So, there is a correlation between tunnel length and conveyor speed based on product size and throughput. The HT-1 is our smallest steam tunnel and has a single zone. The HT-2 has multiple zones that can be set up independently. To achieve optimal shrink for a great looking product, it is common to use either a single tunnel or multiple tunnels.



Tripack heat tunnels have adjustable baffles with digital temperature and variable air velocity controls to meet demanding shrink applications. This total shrink control gives you the ability to successfully shrink any sleeve application: tamper evident neck bands to full-body, high-shrink labels.

SHRINK APPLICATIONS



PRIMARY SLEEVE



FULL BODY OVER-THE-CAP SLEEVE



TAMPER EVIDENT BAND



PARTIAL BODY SLEEVE



MULTI-PACK SLEEVE



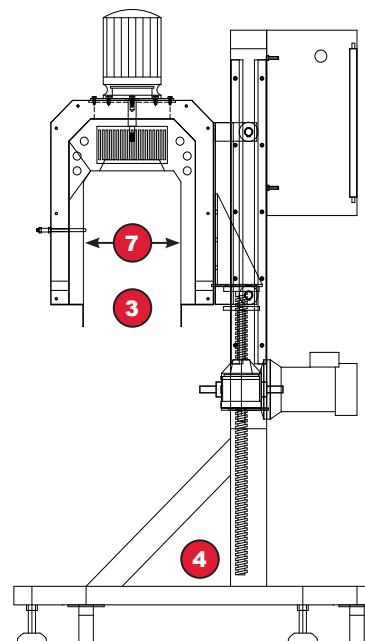
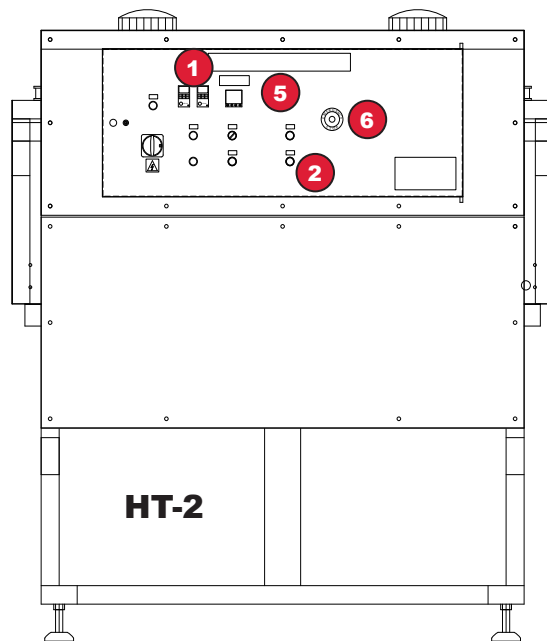
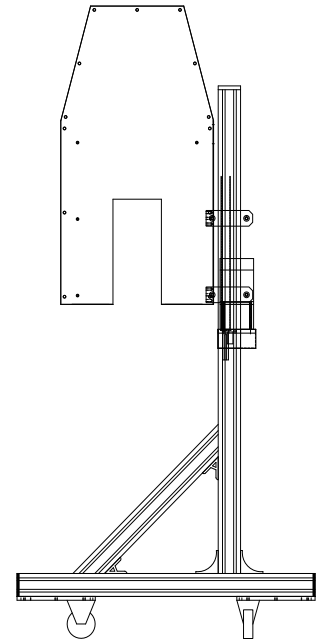
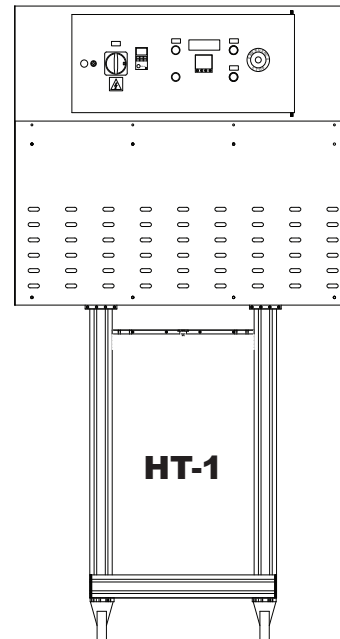
WIDE CONTAINER SLEEVE

STANDARD SPECIFICATIONS*	HT-1	HT-2
Standard Power	240/480 Volt, 3 Phase, 30/20 Amp	
Tunnel Length	3'	5'
Tunnel Opening (WxH)	5.125" x 10.75"	10" x 13.75"
Max Tunnel Elevation	44"	42"
Tunnel Elevation Adjustment	10"	

*Other power options available, stand is required when running in excess of 44" / 42" (HT-1/HT-2) tall (product plus conveyor height from floor)

FEATURES

- 1 Digital temperature read out with adjustable temperature settings (dual zone HT-2)
- 2 Powered up/down controls
- 3 Cantilever/conveyor through tunnel design
- 4 Extruded aluminum frame with adjustable feet (stainless HT-2)
- 5 Digital air flow read out with adjustable air flow settings (dual zone HT-2)
- 6 E-stop push-button safety feature
- 7 Independent and adjustable baffles for air flow direction/control



INDUSTRY LEADING



TRI pack

Shrink Sleeve Solutions

info@tripack.net | 866-900-1255 | tripack.net