

The MSA-180 is a proven and durable Vertical Shrink Sleeve Applicator capable of running full body shrink sleeve labels and tamper evident banding. With a high speed knife and film feed system, it can keep up with all of your medium speed sleeving needs.

The MSA-180 applicator is a customizable machine capable of running a wide range of shapes and sizes up to 200 products per minute. Its plug and play design takes up minimal floor space and can be integrated into production lines quickly and easily.

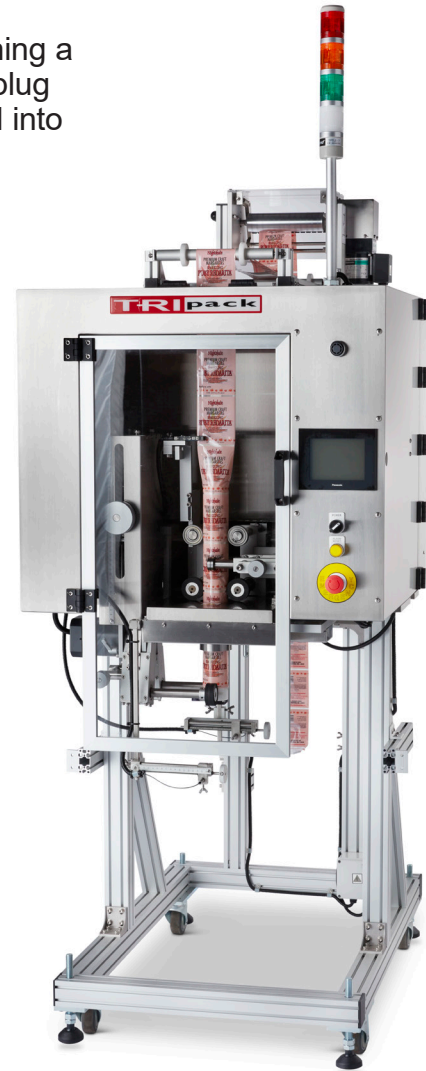
The film delivery system uses a mandrel and servo motors to provide consistent quality and performance. Changeovers are simple and repeatable. The PLC and HMI provide reliable machine control and allow the operator to easily change parameters, as well as the capability to save product recipes.

The machine's design features provide a great solution that can be used for flexible packaging in several industries; including food, beverage, pharmaceutical, home care, cosmetics and many more.

BENEFITS

- Proven & Reliable Performance
- Easy To Use
- Small Footprint
- Mandrel Film Delivery System
- Mobile frame with casters and adjustable feet – easy to move in/out of production line
- Touch Screen HMI
- Self-Contained Design

Like all Tripack Applicators, the MSA-180 has full complement of options, including customized product handling solutions, film accumulation devices, and shrink tunnels. Buy the applicator or integrate it into a full Tripack system!



SHRINK APPLICATIONS



PRIMARY
SLEEVE



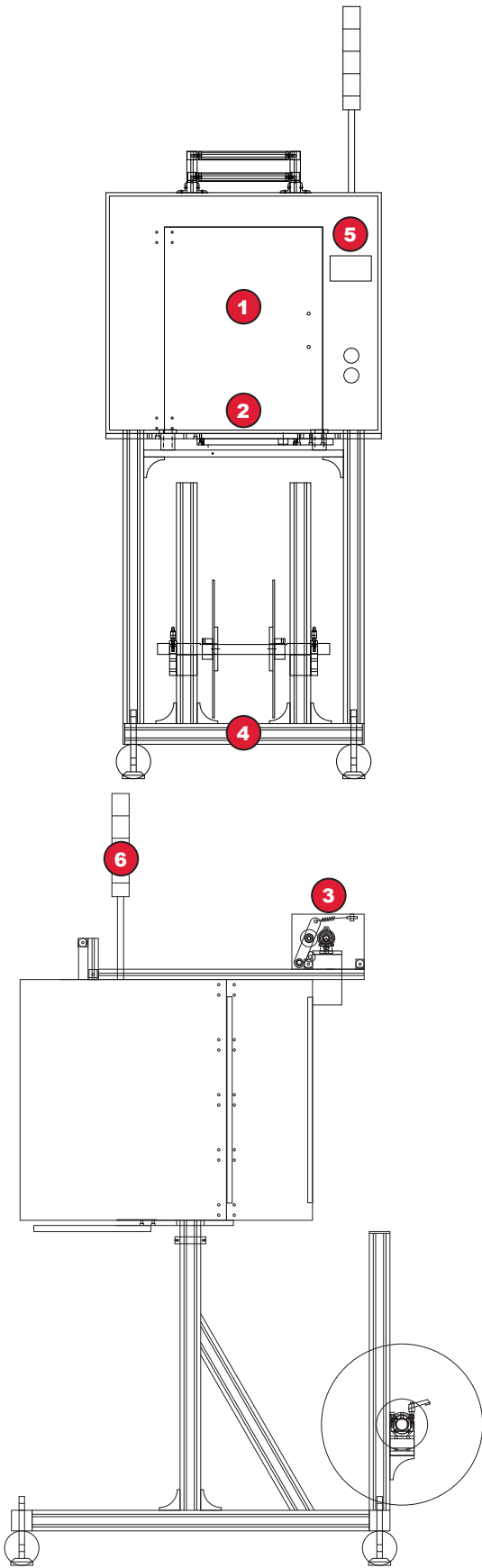
FULL BODY
OVER-THE-
CAP SLEEVE



TAMPER
EVIDENT
BAND



PARTIAL
BODY
SLEEVE



STANDARD SPECIFICATIONS*

Standard Power	240Volt, 3 Phase, 15 Amp
Product Range	1" – 3.75" Diameter
Lay Flat Range	40mm – 160mm
Cut Length Range	30mm – 250mm
Max Speed	200 ppm
Max Film Roll OD	19"
Film Core ID Sizes	5" or 10"
Film Gauge Tolerance	35-70 microns (1.38-2.75 mil)
Lay Flat Tolerance	-0mm / +1mm
Coefficient of Friction	≤ 0.25
Material Types	PET, PETG, OPS, PLA, PVC
Dimensions (LxWxH)	29.7" x 52.37" x 99.9"

*Other power options available, applicator stand is required if cut length exceeds 200mm and/or conveyor height exceeds 40", max speed is based on 40mm cut length

FEATURES

- 1 Multi-point mandrel/bullet design film delivery system with pre-form lower options based on container shape and size
- 2 High speed multi-blade knife assembly
- 3 Powered film assist assembly with dancer bar film web tensioning
- 4 Extruded aluminum frame with caster wheels and adjustable feet
 - Cantilever style design capable of running over existing conveyors
 - Powered adjustable height feature
 - Locks into place with new or existing conveyor
- 5 Touch screen HMI
 - Recipe-driven sizes for change-over convenience
- 6 Stack light with multiple warning lights and audible alarm

INDUSTRY LEADING

