

The TE-150 is an ideal machine for low to moderate speed tamper evident banding. Its compact design and economical price provides a good entry point for companies looking to automate their packaging line.

The TE-150 is simple and efficient mandrel style tamper evident applicator, capable of running tamper evident bands up to 120 products per minute. Its plug and play design takes up minimal floor space and can be integrated into production lines quick and easy.

This machine features a single unwind station with tension control and film registration providing a consistent and accurate cut. Additionally, the cutting unit was designed with a quick-change feature to save time changing the blade. A touchscreen operator panel and stack light are included making setup and operation fast and easy.

## **BENEFITS**

- Reliable and consistent performance
- Easy to install, use and maintain
- Simple design allows for quick film change and maximum uptime
- Fully enclosed with interlocked guarding for safe operation
- Mobile frame with casters and adjustable feet – easy to move in/out of production line

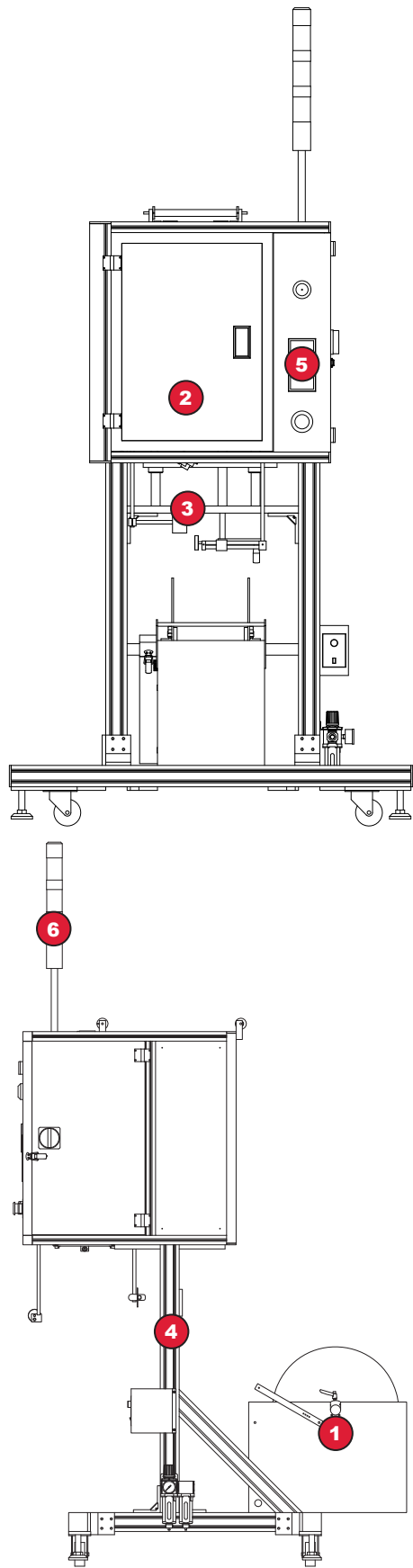


Like all Tripack Applicators, the TE-150 has full complement of options, including customized product handling solutions, film accumulation devices, and shrink tunnels. Buy the applicator or integrate it into a full Tripack system!

## **SHRINK APPLICATIONS**



TAMPER EVIDENT BANDS



## STANDARD SPECIFICATIONS\*

Standard Power	240Volt, 1 Phase, 15 Amp
Air Requirement	5 cfm @ 80 psi
Product Range	1" – 3.75" Diameter
Lay Flat Range	40mm – 150mm
Cut Length Range	20mm – 50mm
Max Speed	120 ppm
Max Film Roll OD	15"
Film Core ID Sizes	5" or 10"
Film Gauge Tolerance	35-70 microns (1.38-2.75 mil)
Lay Flat Tolerance	-0mm / +1mm
Coefficient of Friction	≤ 0.25
Material Types	PET, PETG, OPS, PLA, PVC
Dimensions (LxWxH)	52" x 45" x 109"

\*Other power options available, applicator stand is required if cut length exceeds 200mm and/or conveyor height exceeds 40"

## FEATURES

- 1 Film loading/unwind station for 5" core/15" film OD
- 2 Mandrel/butterfly film delivery system
- 3 Guillotine knife assembly
- 4 Extruded aluminum frame with caster wheels and adjustable feet
  - Cantilever style design capable of running over existing conveyors
  - Adjustable height feature
  - Locks into place with new or existing conveyor
- 5 Touch screen HMI
- 6 Stack light with multiple warning lights and audible alarm

INDUSTRY LEADING

