



TRIPack

SHRINK SLEEVE APPLICATORS



TRIPACK offers a complete line of robust shrink sleeve applicators, beginning with entry-level models, up to high speed integrated systems. Our mandrel based delivery ensures the highest level of operational efficiency and precise sleeve placement. All standard build designs feature stainless steel and aluminum construction, while washdown and sanitary designs are also available.

Standard Features:

- Mandrel Film Delivery
- HMI Touch Screen
- No Air required (all but TE-150 model)
- Quick Change Tooling Design
- Small Footprint

Optional Features:

- Vertical and "T" Perforation
- Film Accumulator/ Splicing System
- Inspect/Reject Systems
- Container Drying Systems
- Custom Puck & Product Handling Systems
- Date/Lot Coding



ATTENTION CONTRACT PACKAGERS!

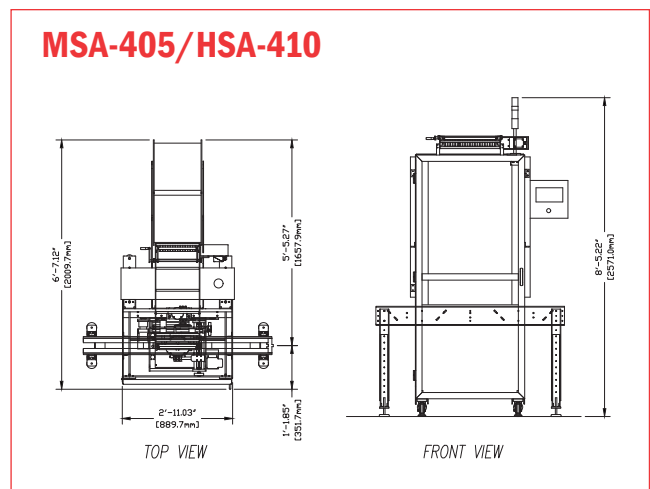
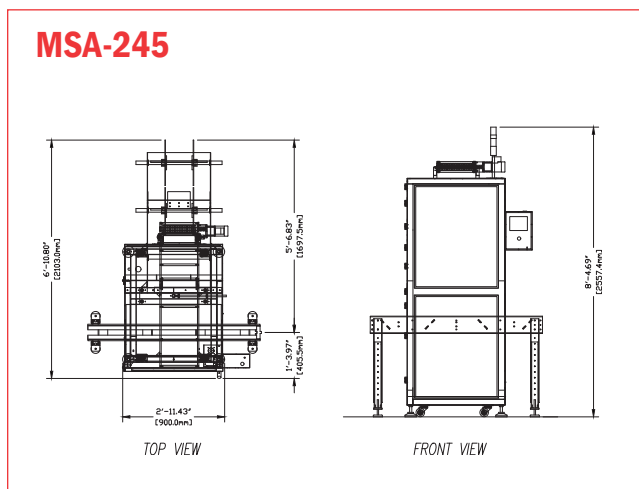
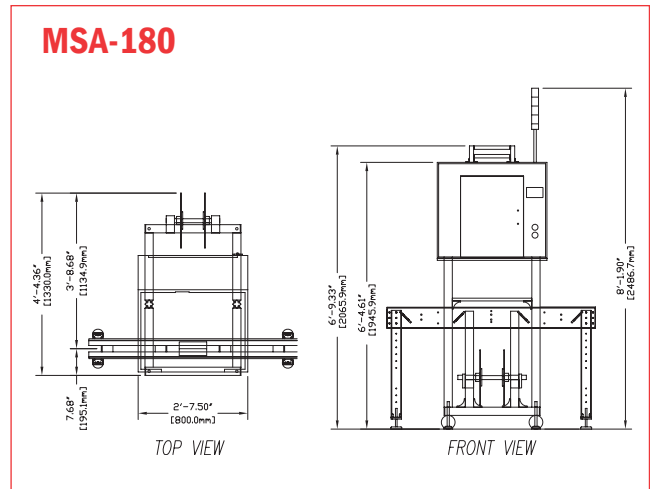
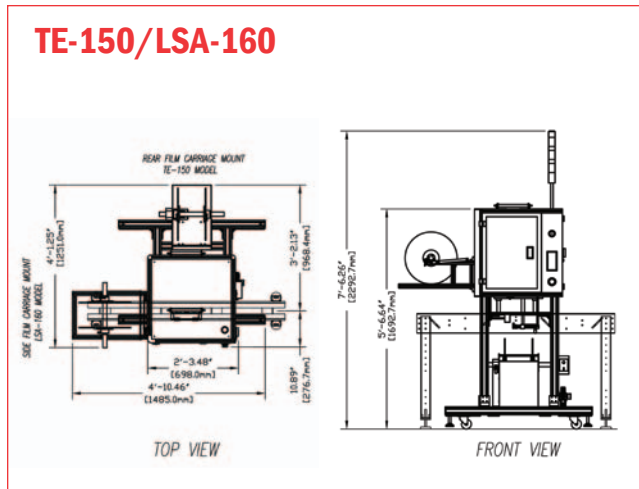
The 400 Series models are the most versatile sleeve applicators on the market.

- 1 - 10" diameters
- 40 - 400 mm LFW
- Odd or Round Shapes
- Tamper Evident Banding
- Multi Packs
- Full Body Shrink Labeling
- Film gauge down to 30 micron*! *application specific

SPECIFICATIONS				
MODEL	PRODUCT DIAMETER	LAYFLAT RANGE (mm)	MIN. CUT LENGTH (mm)	SPEED (PPM)
TE-150	1 - 3.75"	40 - 160	20	100
LSA-160	1 - 4.25"	40 - 170	50	100
MSA-180	1 - 3.75"	40 - 160	30	200
MSA -245	1 - 6"	40 - 245	30	300
MSA-405	1 - 10"	40 - 400	30	400
HSA-410	1 - 10"	40 - 400	30	500
HSA-410T	1 - 10"	40 - 400	30	700

FT-300 Film Accumulator - 300' Film Capacity

Actual speed capability is based on container shape, size, and film specifications.



- Food & Beverage • Dairy • Produce • Craft Beer, Wine & Spirits • Pharmaceutical
- Tobacco • Automotive • Home and Personal Care • Confections • Nutraceutical